

From the *Transactions* of the  
Bristol and Gloucestershire Archaeological Society

**Finds from a pipe-trench at Frocester Court**

by E. G. and A. J. Price  
1985, Vol. 103, 216-220

© The Society and the Author(s)

two fishponds. West of the lowest dam, around A on FIG. 5, are some amorphous earthworks not shown on the plan and possibly quite recent. The hollow-way to the south runs towards Wotton-under-Edge passing behind Bradley Court, which was built in 1568 and was the successor to the moated medieval manor.

The site is now a scheduled ancient monument. The National Trust was given a covenant over the land by Dame Joan Evans in 1970, following a proposal to use the area as a council tip.

#### *Bibliography*

Grundy, G.B. 1935–6. *Saxon Charters and Field Names of Gloucestershire*. Gloucester (Bristol and Gloucestershire Archaeol Soc).

Iles, R. and Dennison, E. forthcoming. Medieval fishponds in Avon. *Bristol and Avon Archaeol.*

Lindley, E.S. 1962. *Wotton-under-Edge*. London.

Popplewell, J.M. 1981. North Nibley: Settlement and land use. Unpublished dissertation, Bristol University Extra-Mural Department (copy at Glos R.O.).

December 1984

ROBERT ILES and JOYCE POPPLEWELL

### FINDS FROM A PIPE-TRENCH AT FROCESTER COURT

In December 1984 a watching-brief was maintained during the laying of a water-pipe (FIG. 6) to cattle-troughs in OS 79 and 81 (field nos. from OS 25-inch map, 1922 edition), and evidence of earlier occupation was recorded. A 0.4 m-wide trench was dug *c.* 0.6 m deep from OS 82, where it cut a known wall-footing of 19th-century date, along a farm track for *c.* 85 m. Atrocious weather and a resulting high water-table did not allow more than a brief examination of each feature as it was uncovered. All features predated the 19th/20th-century track metalling; a disused water-pipe cut features 5 and 6; and mid/late 19th-century land-drains postdated features 2, 3, and ditch 'a'. The opportunity has been taken here to include information (features 12 and 13) recorded on an earlier occasion from the stream between OS 79 and 82.

Features 1–3, 5, 8, and 12 were sections of stone wall-footings related to otherwise unknown structures. Features 4, 6, and 9–11 were vertical-sided rubble-filled sections, all except 11 appearing only on the north side of the trench. They were probably early land drains. Feature 7 was a stone-built drain that probably emptied into ditch 'b', and 13 the wheel abutments of a mill derelict before 1623 (Glos R.O., D340a–F19/1). These remains comprised two short lengths of stone walling set opposite each other in the banks of the stream, connected at each end by the remains of a heavy plank set on edge at right-angles across the stream bed. Feature 14 was a pre-19th-century posthole and 15 an area of hard standing on which was found the deposit of medieval pottery described below. Three ditch sections, 'a–c', were located, of which the first two probably represented the same ditch. Romano-British pottery and tile fragments were recorded, some from under feature 15. Similar material has been found in the vicinity on several occasions, possibly relating to some feature of the villa complex *c.* 270 m to the south-west. Details of the features and the finds have been deposited at Stroud Museum. We are indebted to Mr F. Richmond for his pottery drawings.

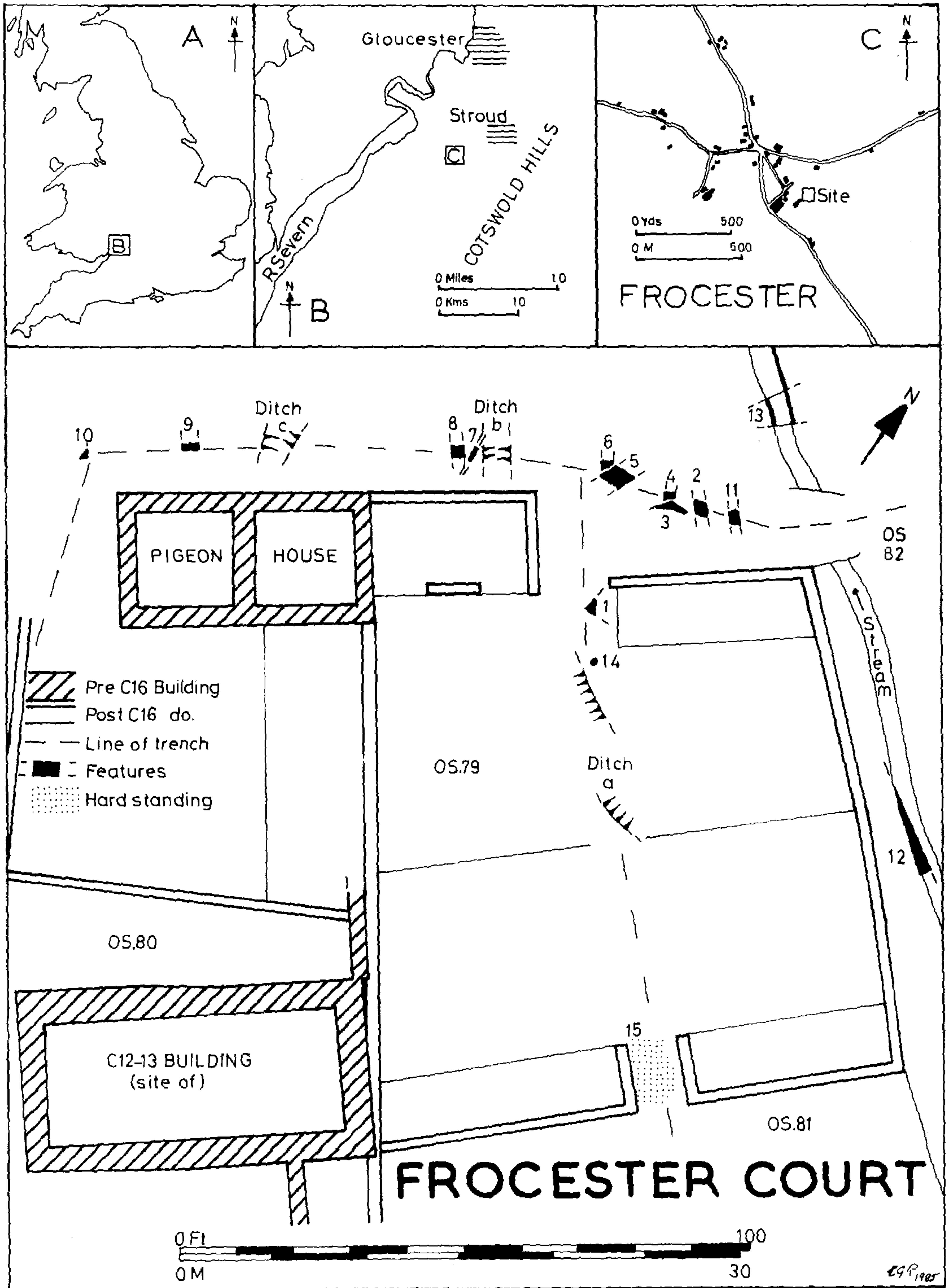


FIG. 6 Location of the pipe-trench with plans of the features it contained.

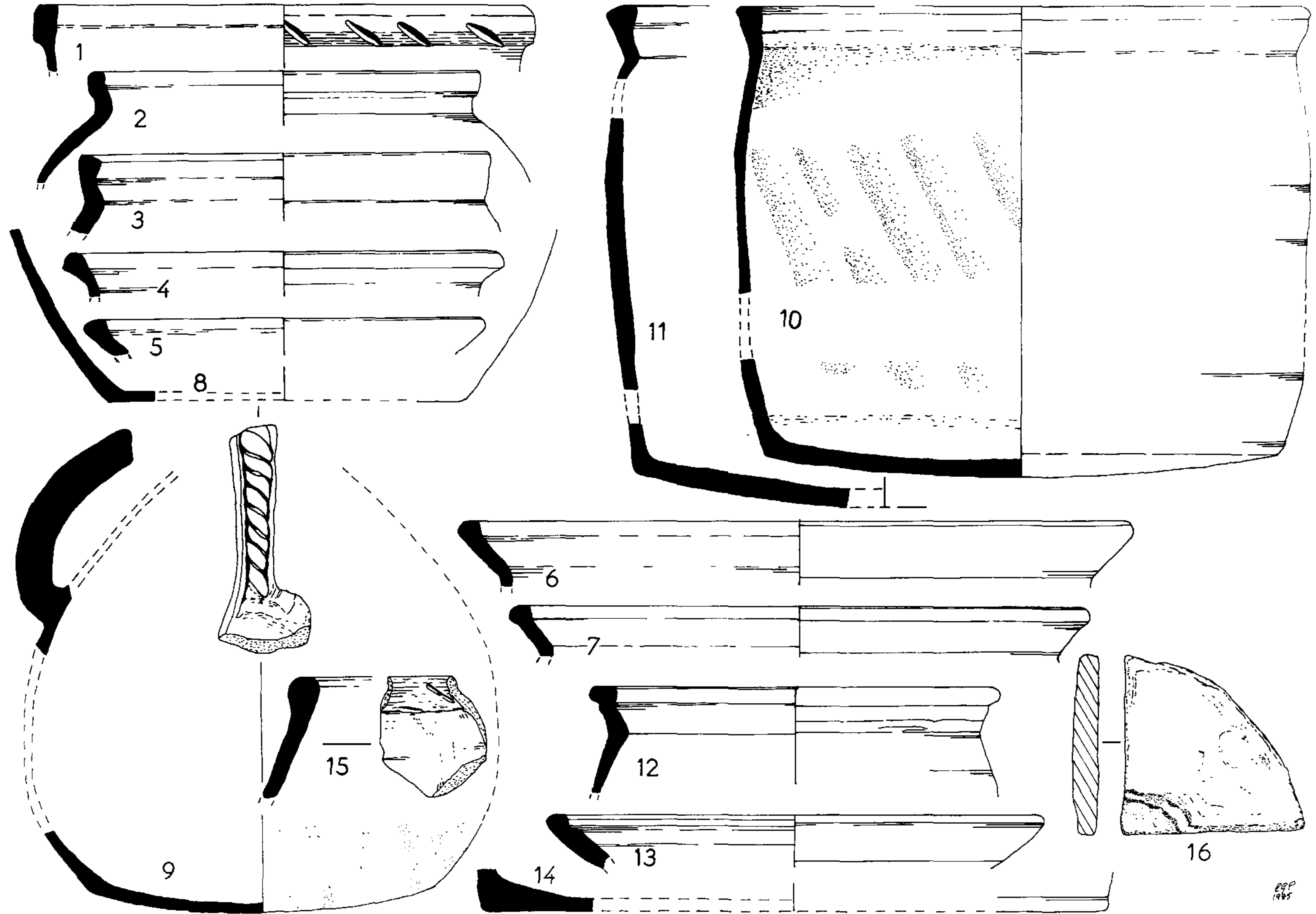


FIG. 7 Frocester Court: medieval pottery and stone object. Scale 1:4.

## THE FINDS

*Pottery* (FIG. 7, 1–15 and Table 1)

The bulk of this collection of 233 sherds came from feature 15 and forms the first stratified group of medieval pottery to be recorded from Frocester. It contains fragments of a minimum of 14 vessels, mainly unglazed cooking-pots and bowls, handmade on a slow wheel. These vessels are similar to pottery from the King's Stanley 12th-century moated manor site (unpublished material in Stroud Museum). FIG. 7, 9 illustrates a rough, streaky-surfaced pitcher with traces of patchy glaze. Its cable handle is uncommon but can be paralleled in several late 12th-century contexts including one from Oriel College, Oxford (*Antiq J* 39, 1959, 261, fig. 17). There is one other glazed sherd and some residual Roman material.

Macroscopic examination of the sherds has identified four distinct fabrics with two subdivisions. These are identifiable with Gloucester type fabrics as listed below:

<i>Frocester</i> TF No.	<i>Fabric description</i>	<i>Gloucester</i> TF No.
9	Roman Severn Valley ware	11
41	Oolite-tempered ware	41b
41a	Oolite-tempered ware (glazed)	–
42	Malvernian cooking-pots	40
44	Rounded-quartz-tempered ware	43
44a	Rounded-quartz-tempered ware (glazed)	–

*Table 1* The pottery: type-fabric analysis

<i>Feature description and no.</i>	<i>Frocester</i> TF no.	<i>No. of</i> <i>sherds</i>	<i>Weight of</i> <i>sherds (in g)</i>	<i>Illustration</i>	<i>Comments</i>
Wall-footing 1	41	1	10		
Stone/gravel surface 15	9	1	2		Romano-British Severn Valley ware
Stone/gravel surface 15	41	113	1695	1–8	Cooking pots and bowls: 7 rims, 4 bases
Stone/gravel surface 15	41a	8	310	9	Pitcher base and 'twisted cable' handle
Stone/gravel surface 15	42	44	2615	10–11	Convex-based cooking pots: 2 rims, 2 bases.
Stone/gravel surface 15	44	40	890	12–14	Flat-based cooking-pot and bowl: 2 rims, 2 bases
Stone/gravel surface 15	44a	1	10		
Ditch 'a'	41	1	20		
Ditch 'b'	44	2	25		
Trench fill	41	7	40		Rim and base form as No. 11
Trench fill	41a	5	20		Some joining sherds to No. 9
Trench fill	42	3	42		
Trench fill	44	3	20		
Stream bed	9	3	65		Romano-British Severn Valley ware (unstratified)
Stream bed	41	1	60	15	Rim (unstratified)
		<hr/> 233	<hr/> 5824		

*Stone object (FIG. 7, 16)*

Quadrant cut from a laminated Lias limestone fragment. Only the curved side has had to be shaped. Fill of feature 10.

*April 1985*

E.G. and A.J. PRICE

## TWO PREHISTORIC IMPLEMENTS FOUND NEAR TYTHERINGTON, AVON

The area round Tytherington, eleven or so miles north-east of Bristol, is a prolific one for sites and finds both of pre- and post-Roman date, and two noteworthy implements, a macehead and a flint axe or chisel have recently been recorded from this vicinity. The writer is indebted to Mr Roger Howell for drawing her attention to these finds.

The macehead, of which only half now survives, was found at Stidcote Farm (ST 6835 8863).

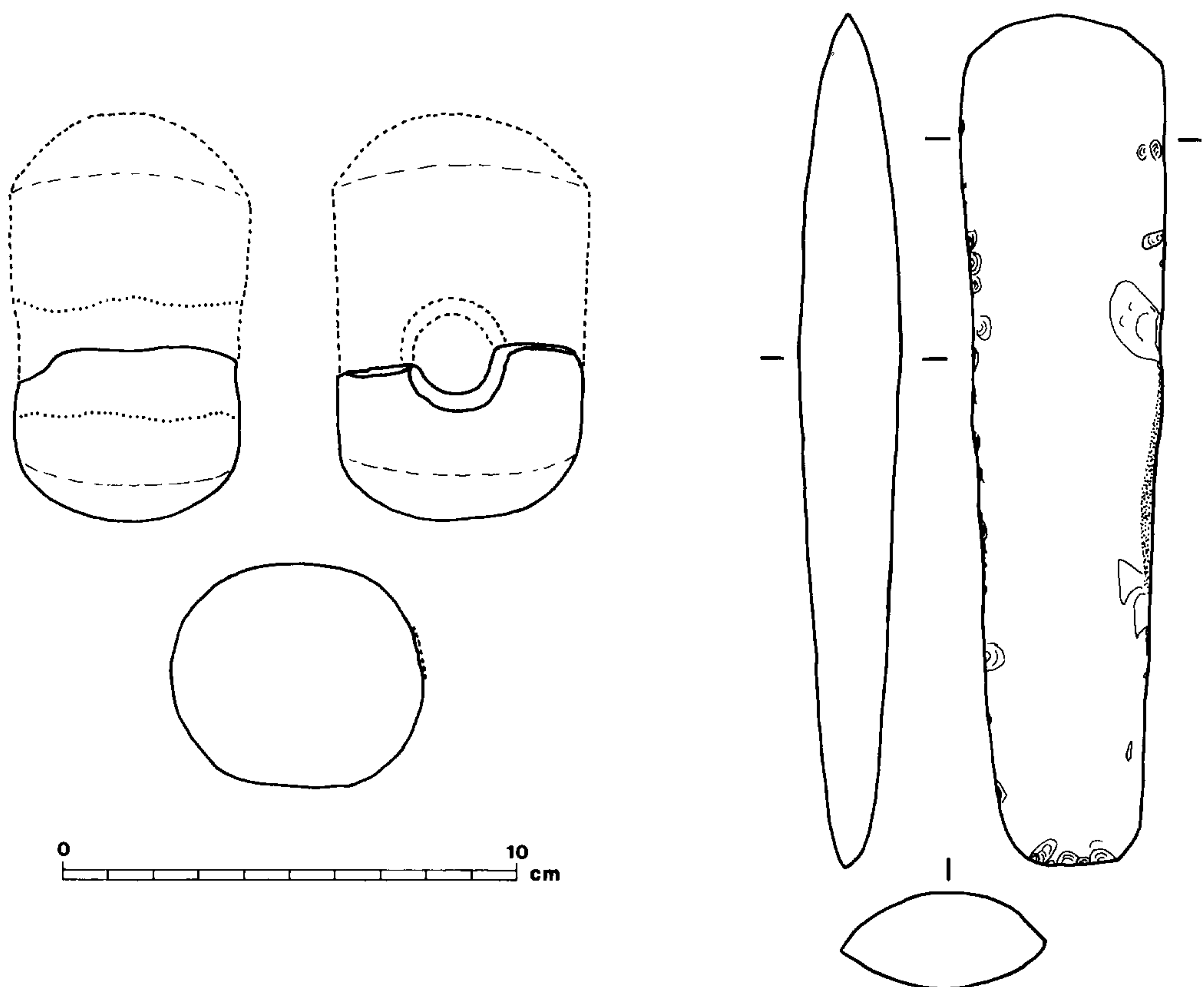


FIG. 8 Implements from Tytherington, Avon. Left: macehead; right: axe/chisel. Scale 1:2.